

DAUBENTON COURT

2 BEDROOM DUPLEXES


QUARTET
CLAPTON COMMON
E5 9AJ

Welcome to

Daubenton Court

A collection of 2 bedroom duplexes situated on the very edge of Clapton Common and within easy reach of all that London has to offer.

Choose from a range of different layouts, each designed with the demands of modern living in mind and marvel at the views across the city from your new home.



Computer generated image is indicative only.

Daubenton Court, Ground Floor

113 LOWER LEVEL - 2 BED DUPLEX

KITCHEN/DINING AREA
4.57M X 3.46M 15'0" X 11'4"

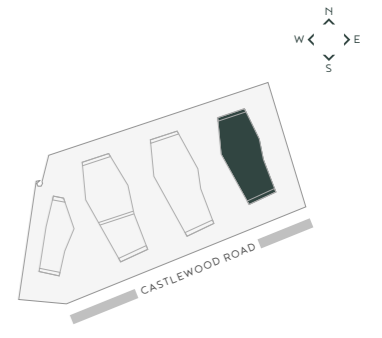
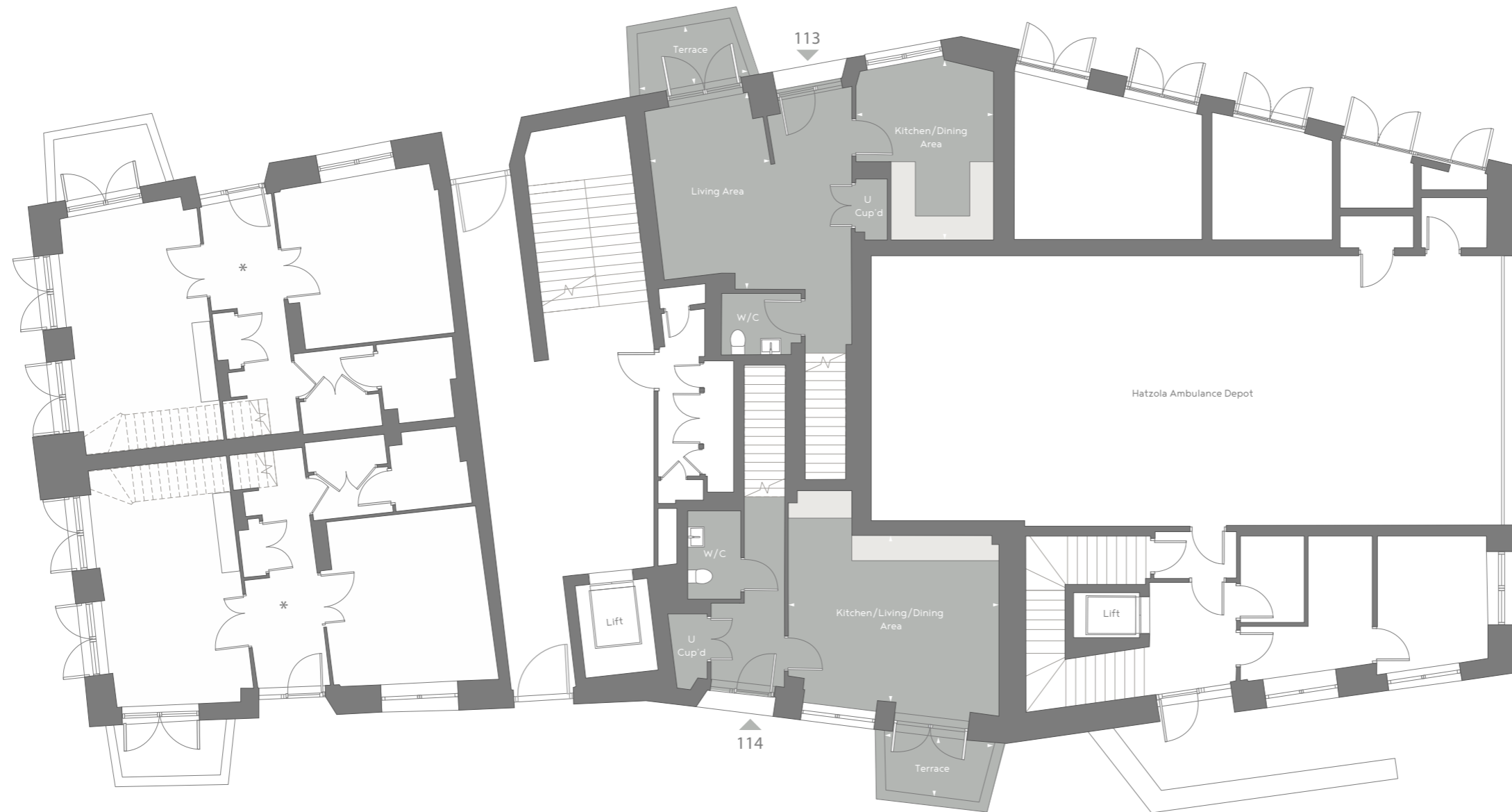
LIVING AREA
4.85M X 2.99M 15'11" X 9'10"

TERRACE
2.71M X 1.59M 8'11" X 5'3"

114 LOWER LEVEL - 2 BED DUPLEX

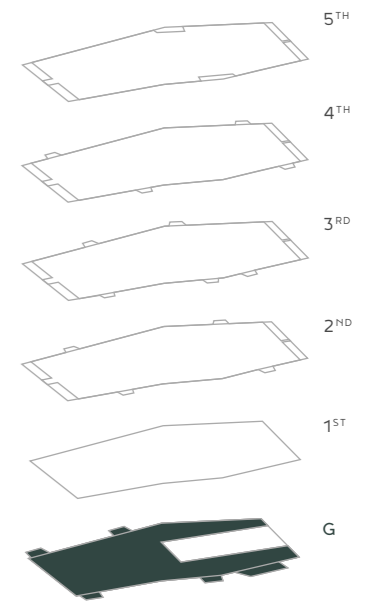
KITCHEN/LIVING/DINING AREA
5.40M X 4.25M 17'9" X 14'0"

TERRACE
2.71M X 1.59M 8'11" X 5'3"



^ SITE LOCATOR

∨ FLOOR INDICATOR



KEY:

- U Cup'd – Utility Cupboard
- W/C – Cloakroom
- – 2 bedroom

All room sizes are approximate. Total Internal Floor Space measurement excludes outdoor areas. They are to finished measurements and are not intended for carpet sizes or items of furniture. Quartet operates a policy of continuous product development and all room layouts may be subject to minor modifications. Kitchen and bathroom layouts shown are indicative only. Please ask Sales Consultants for detailed information regarding specific properties.

*Affordable Housing

Daubenton Court, First Floor

113 UPPER LEVEL - 2 BED DUPLEX

MASTER BEDROOM
3.77M X 3.32M 12'4" X 10'11"

BEDROOM 2
4.58M X 3.26M 15'1" X 10'8"

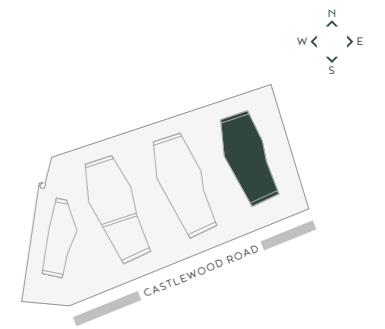
TOTAL INTERNAL AREA
98 SQM 1,055 SQFT

114 UPPER LEVEL - 2 BED DUPLEX

MASTER BEDROOM
4.76M X 3.30M 15'7" X 10'9"

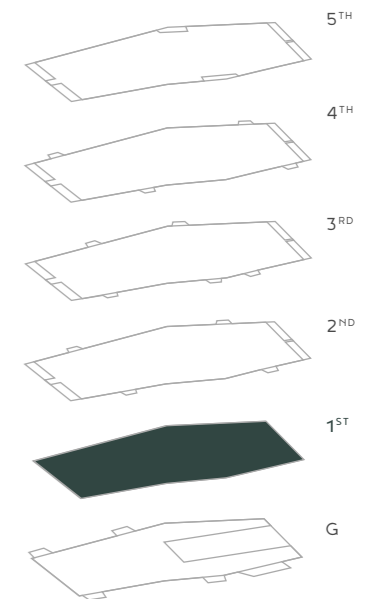
BEDROOM 2
4.22M X 2.99M 13'10" X 9'10"

TOTAL INTERNAL AREA
91 SQM 980 SQFT



^ SITE LOCATOR

∨ FLOOR INDICATOR



KEY:

- Cup'd - Cupboard
- S - Shelving
- W - Wardrobe
- - 2 bedroom

All room sizes are approximate. Total Internal Floor Space measurement excludes outdoor areas. They are to finished measurements and are not intended for carpet sizes or items of furniture. Quartet operates a policy of continuous product development and all room layouts may be subject to minor modifications. Kitchen and bathroom layouts shown are indicative only. Please ask Sales Consultants for detailed information regarding specific properties.

*Affordable Housing



QUARTET
CLAPTON COMMON
E5 9AJ

Castlewood Road, Stamford Hill, London, E5 9AJ

quartet@cpplc.com | 020 3944 7105



COUNTRYSIDE
Places People Love